



Yun Yang Fire Safety Equipment Co.,Ltd.

YF-3

Conventional Fire Alarm Control Panel

Manual Book

2016.03.02 REV.1

71114-P03-E

Yun Yang Fire Safety Equipment

TEL : +886 7355 1234

FAX : +886 7355 0022

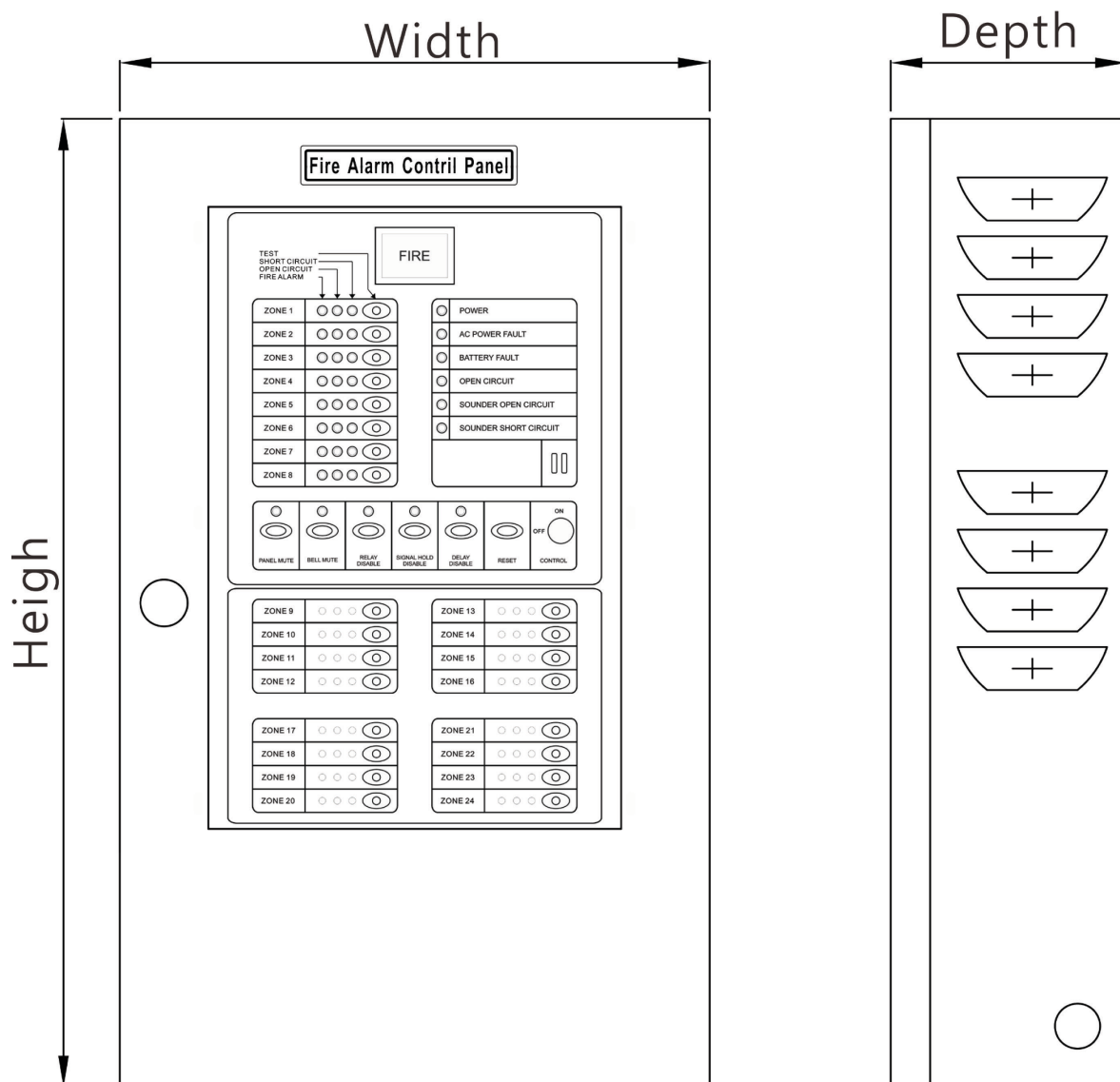
http : //www.yun-yang.com.tw

Email : ty.y.intl@yun-yang.com.tw

CONTENTS

A. Metal Cabinet Dimensions	2
B. Plastic Cabinet Dimensions	3
C. Description	4
D. Electric Characteristics	4
E. Panel Functions	4
F. Specification	7
G. Basic Troubleshooting	8
H. Fuse Specification	9
I. Wiring Diagram of the Central Control unit	10
1. 1 ~ 8L	10
2. 9 ~ 16L	11
3. 17 ~ 24L	12
4. 25 ~ 32L	13

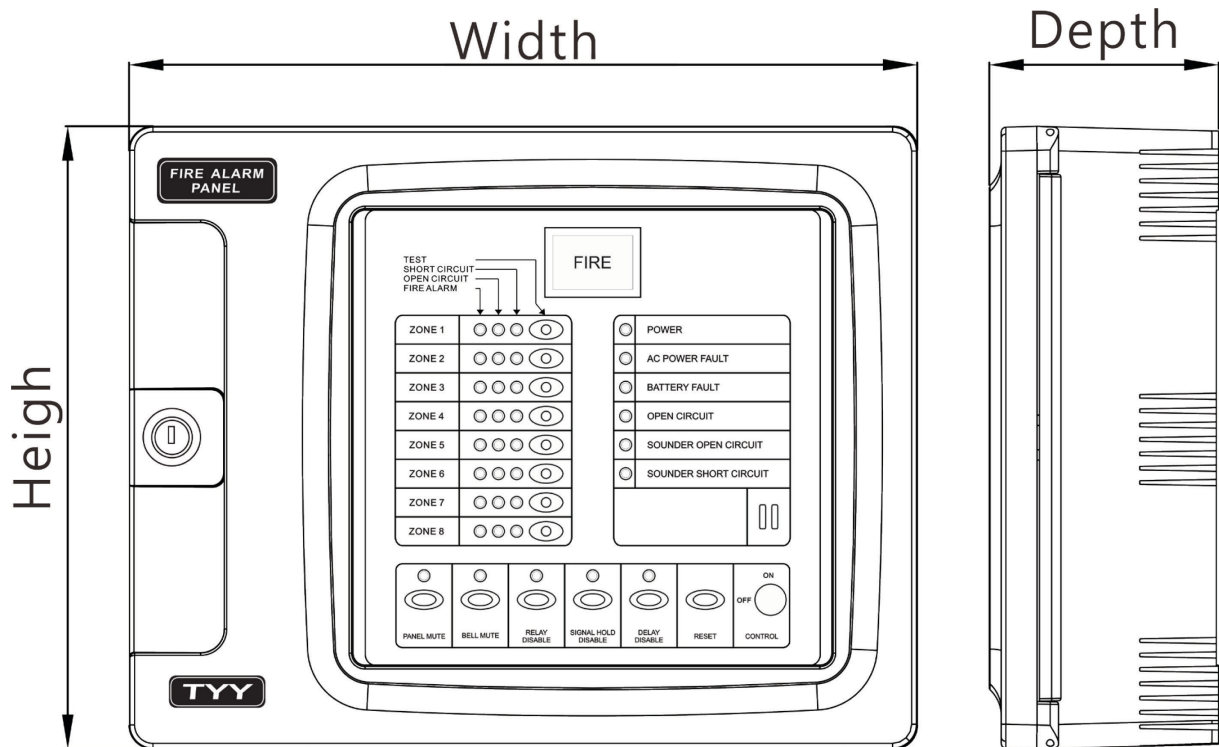
A. Metal Cabinet Dimensions



Number of zone \ Size	H (mm) * W (mm) * D (mm)
1L / 2L / 4L / 5L / 8L	330 * 280 * 120
12L / 16L	400 * 300 * 120
20L / 24L	495 * 300 * 120

Box size according to site selection, please confirm with the company !

B. Plastic Cabinet Dimensions



Number of zone \ Size	H (mm) * W (mm) * D (mm)
1L / 2L / 4L / 5L / 8L	260 * 330 * 96
12L / 16L / 20L	400 * 300 * 126
24L / 28L / 32L	370 * 480 * 90

Box size according to site selection, please confirm with the company !

C. Description

The concept of module design is applied to each circuit board. The automatic testing function makes operation and maintenance easily and effectively.

D. Electric Characteristics

Input Power : AC 240V

Stand-by Power : DC 24V

Normal Operation Voltage : DC 18V ~ 32V

Charging Method : Tickle Charging at Rated Voltage

E. Panel Functions

As the control unit turns on, the “POWER” light is on.

Fire Alarm

When the specific zone received an in-coming signal and confirm that there is fire, zone fire LED for that specific zone and fire light will be on. The buzzer of the unit and alarm area will sound as well.

Each circuit with three state light and one test button are for indicating circuit fire, open circuit fault, short circuit fault. Turn “CONTROL” switch on and press test button in specific zone to do fire alarm test or the zone.

Mute

When fire or error has happened, the control unit will sound as warning. Press “**PANEL MUTE**” button to stop the sound.

When fire is happened, the fire alarm bell will ring on the spot. Press “**BELLI MUTE**” button to stop the ring.

When fire has happened, the reporting contact point “C.NO” will be connected. Press “**RELAY DISABLE**” button to stop the connection.

When fire has happened, the control unit will lock the state of ZONE FIRE light, FIRE indicator, **BELL** sound, bell ring on the spot, reporting contact point “C.NO”. Press “**SIGNAL HOLD DISABLE**” button to release the lock.

As the detector detects a fire signal, the unit will automatically reset the detector. If another fire signal is received within 45 seconds later, the control unit will confirm the fire alarm signal. This function is to prevent false alarms. Press “**DELAY DISABLE**” button to remove the function.

Press down the “**RESET**” button to reset the unit.

All the detector circuits should be connected with a 10K Ω terminal resistor.

SND 1 and SND2 should be connected with a 10K Ω terminal resistor.

Indicator

ZONE FIRE ALARM : light on indicating fire happened in specific zone.

ZONE OPEN CIRCUIT : light on indicating detector broken circuit happened in specific zone.

ZONE SHORT CIRCUIT : light on indicating detector short circuit happened in specific zone.

AC POWER FAULT : light on indicating battery charging is abnormal.

BATTERY FAULT : light flashes indicating battery error.

OPEN CIRCUIT : light flashes indicating detector broken circuit in the specific zone.

SOUNDER OPEN CIRCUIT : light on indicating open circuit happened in alarm bell wiring.

SOUNDER SHORT CIRCUIT : light on indicating short circuit happened in alarm bell wiring.

F. Specification

Item	Specification
Model	YF-3
Category	Conventional Fire Alarm Control Panel
Type	Wall-mount
Power Source	240V AC 50 / 60 Hz $\pm 10\%$
Standby Battery	24V DC
Charging Voltage	Below 26V DC 450mA, trickle charging
Circuit Voltage	24V DC operation voltage, under 10~11V DC 32mA
Rated Impedance	Below 50 Ω
Detector Connection	No limitation for Conventional Rate of Rise or Fixed Temperature Heat Detectors; Up to 30 Photoelectric Smoke Detectors can be connected per zone (monitor current for detectors : 24V DC 40 μ A)
E.O.L Resistor	10K Ω
No. of Indicators	The same as the number of zones (LED indicating lamp)
No. of Bells	The same as the number of zones
Color	Red
Buttons	Push-button
Cabinet Material	Powder coating steel (up to 24L only) / Flame retardant ABS enclosure (up to 32L only)
Main Audio	Mono tone sounder (above 85dB for 1m distance)
Alarm Relay Contact	No-Voltage NO contact, capacity 250V AC / 7A

G. Basic troubleshooting

1. The indicator of “Mains Healthy” doesn’t light up :
 - (1) Check whether the mains of AC 230V and the battery power in working normally.
 - (2) Check whether Fuse 1, Fuse 2 or Fuse 3 is burned.
If so, please replace with a new fuse.

2. The indicator of “Battery Fault ” flashes :
Check whether the battery and Fuse 2 are working normally.

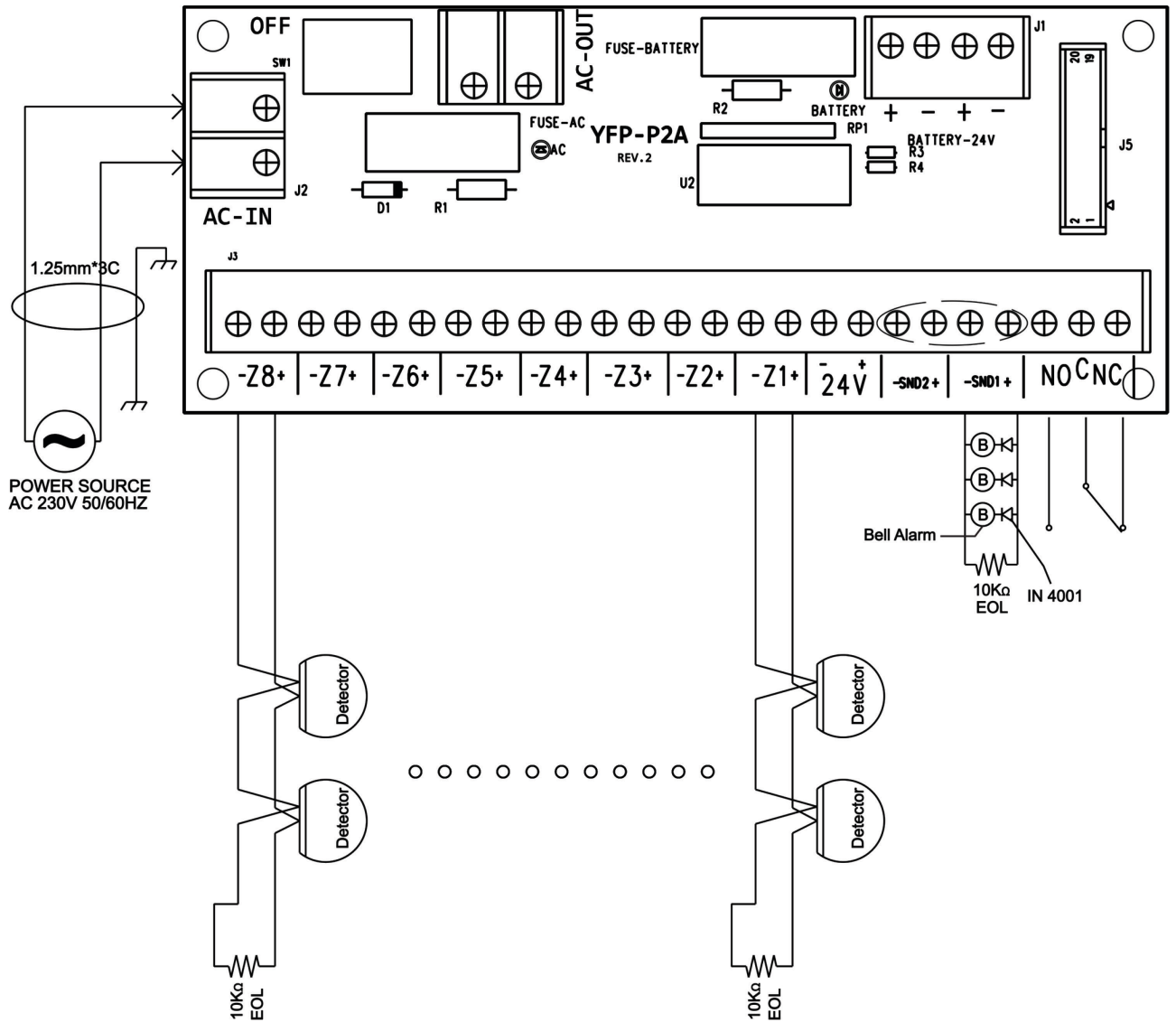
3. The indicator of “ZONE O/C FAULT ” lights up and the buzzer sounds :
 - (1) Check whether the terminal resistor is disconnected from the circuit.
 - (2) Check whether a detector of the circuit is not (correctly) installed.

H. Fuse Specification

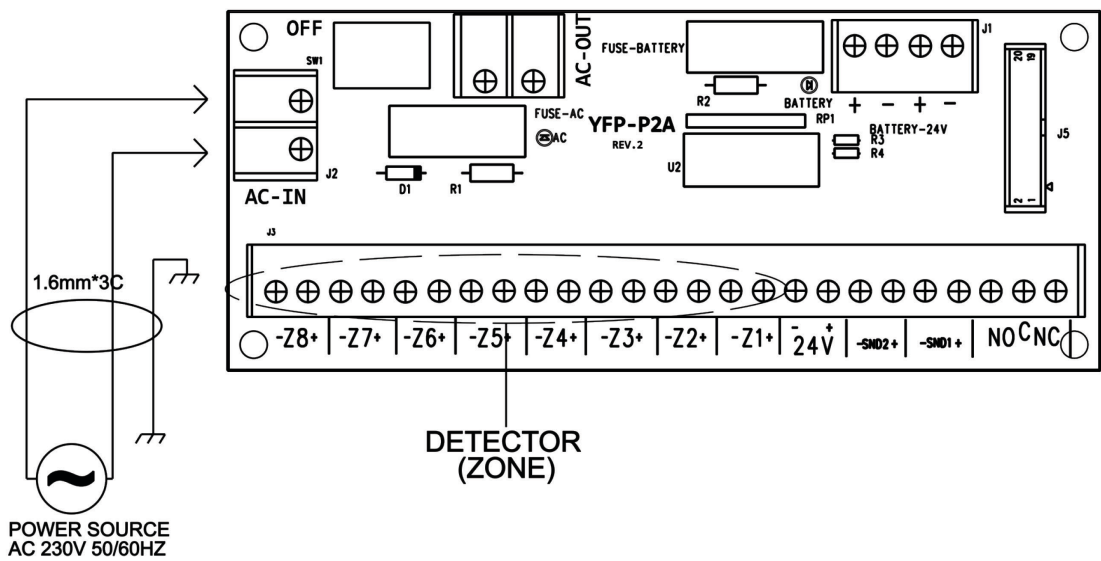
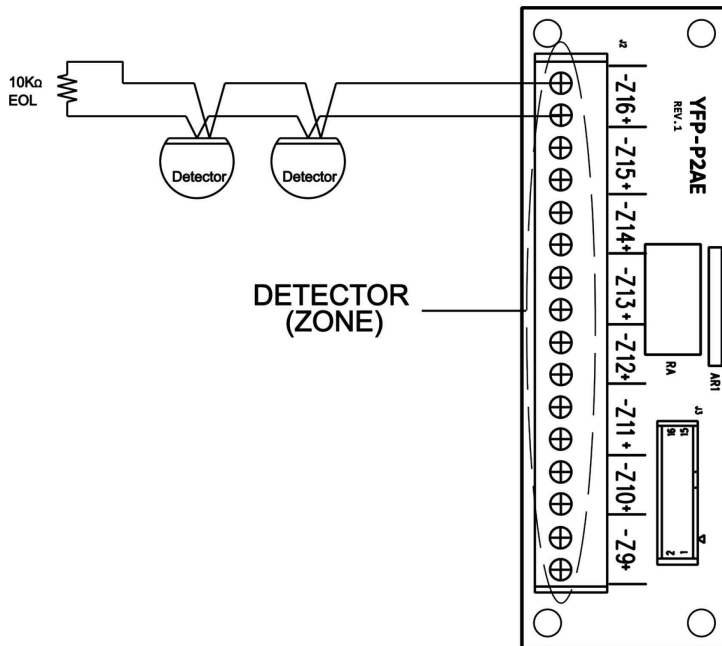
ZONE 1 TO ZONE 8	Charging Voltage F1	2A
	Sounder 1 Fuse F2	1A
	Sounder 2 Fuse F3	1A
	Fuse-BATTERY	2A
	Fuse-AC	1A
ZONE 9 TO ZONE 16	Charging Voltage F1	3A
	Sounder 1 Fuse F2	1.5A
	Sounder 2 Fuse F3	1.5A
	Fuse-BATTERY	3A
	Fuse-AC	1A
ZONE 17 TO ZONE 24	Charging Voltage F1	4A
	Sounder 1 Fuse F2	2A
	Sounder 2 Fuse F3	2A
	Fuse-BATTERY	4A
	Fuse-AC	1.5A
ZONE 25 TO ZONE 32	Charging Voltage F1	5A
	Sounder 1 Fuse F2	2.5A
	Sounder 2 Fuse F3	2.5A
	Fuse-BATTERY	5A
	Fuse-AC	2A

I. Wiring Diagram of the Central Control unit

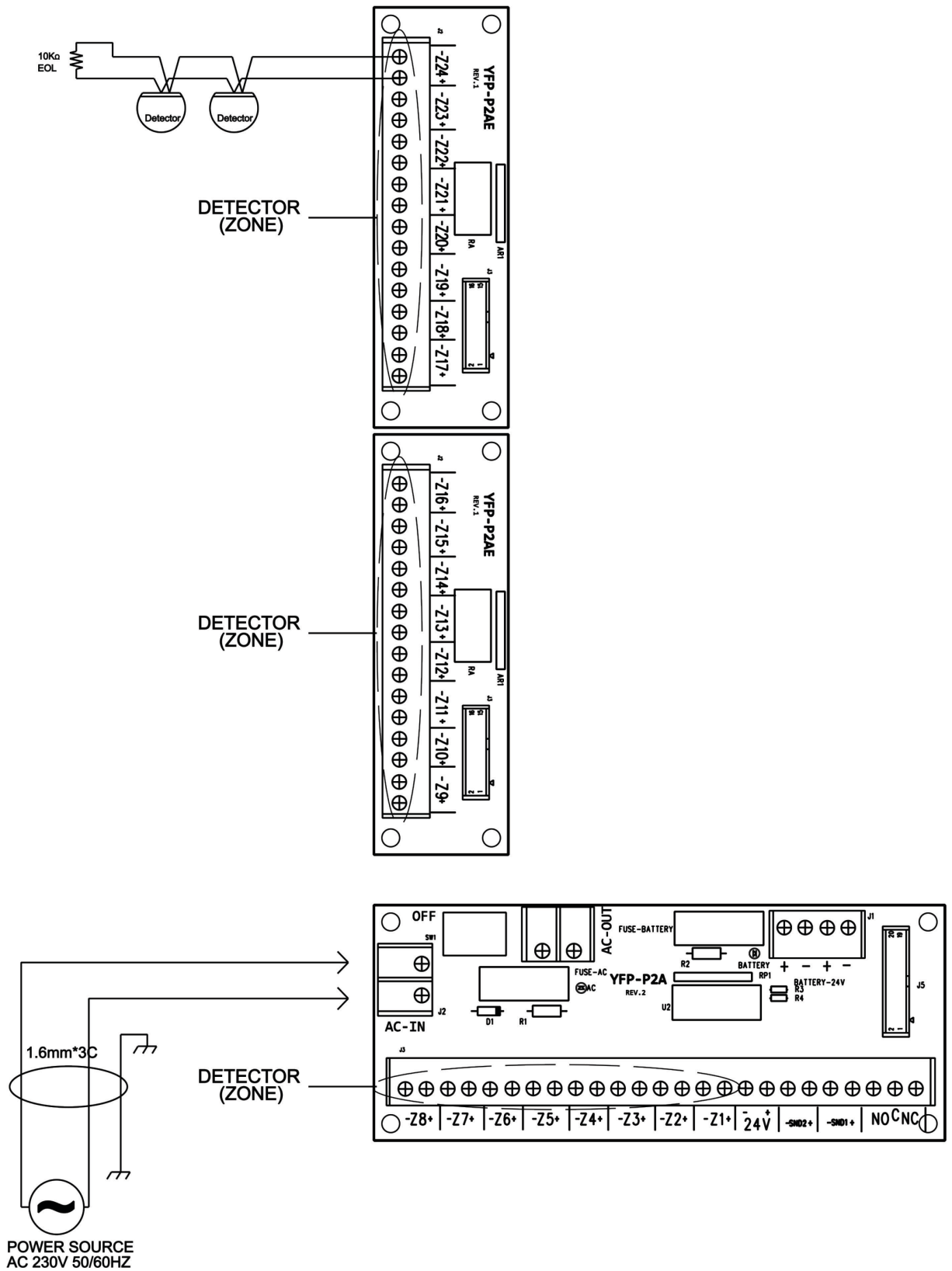
1. 1 ~ 8L



2.9 ~ 16L



3. 17~24L



4. 25 ~ 32L

